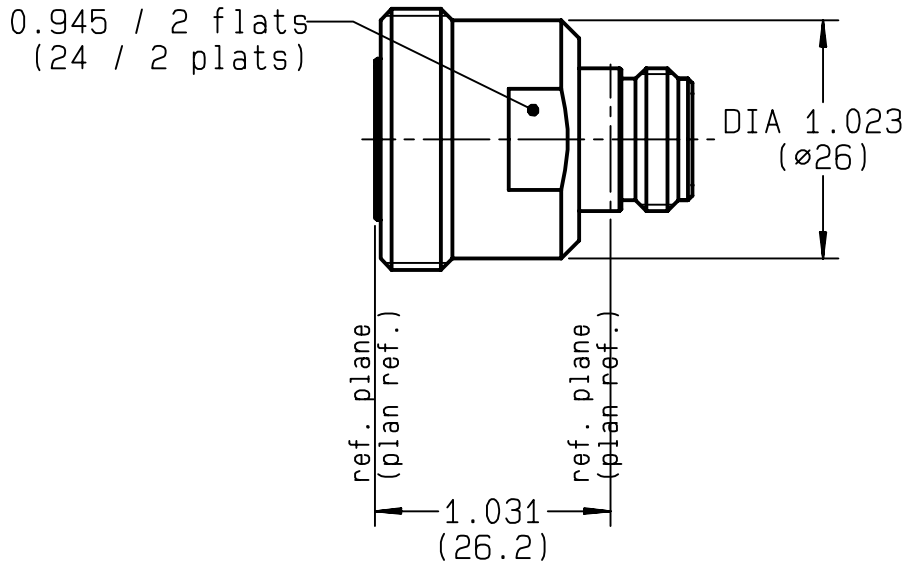


**N FEMALE - 7/16 FEMALE STRAIGHT ADAPTER**

**R191.723.000**  
**SERIES ADAPT**



NOMINAL IMPEDANCE	<b>50</b> Ω
FREQUENCY RANGE	<b>0-7.5</b> GHz
TEMPERATURE RATING	<b>-55/+155</b> °C
V.S.W.R	<b>1.06</b> + x F(GHz)Maxi
RF INSERTION LOSS	<b>0.03</b> √F(GHz) dB Maxi
VOLTAGE RATING	<b>1400</b> V <sub>eff</sub> Maxi
DIELECTRIC WITHSTANDING VOLTAGE	<b>2500</b> V <sub>eff</sub> Mini
INSULATION RESISTANCE	<b>5000</b> MΩMini
HERMETIC SEAL	<b>NA</b> Atm.cm <sup>3</sup> /s
LEAKAGE (pressurized only)	<b>NA</b>
MECHANICAL DURABILITY	<b>500</b> Cycles
WEIGHT	<b>74.2</b> gr
SPECIFICATION	

CABLES :	
OTHERS CHARACTERISTICS	<b>ROS a 3GHz 1.03 maxi</b>
CABLE RETENTION	<b>NA</b> N Mini
CENTER CONTACT RETENTION	
Axial force - mating end	<b>68</b> N Mini
Axial force - opposite end	<b>68</b> N Mini
Torque	<b>NA</b> cm.N Mini
RECOMMENDED TORQUES	
Mating	<b>NA</b> cm.N
Panel nut	<b>NA</b> cm.N
Clamp nut	<b>NA</b> cm.N

CONNECTOR PARTS	MATERIALS	FINISH	(all values are given ) in micrometers
BODY	BRASS	BBR 0.5 OVER SILVER 3	
OUTER CONTACT	BRASS	SILVER 5 PASSIVATED OVER COPPER 0.5	
CENTER CONTACT	BERYLLIUM COPPER	SILVER 5 PASSIVATED OVER COPPER 0.5	
INSULATOR	PTFE	-	
GASKET		-	
OTHERS PIECES			

ISSUE	CREATION DATE	FILE PART-NUMBER
<b>0204B00</b>	<b>18/05/1994</b>	<b>DM-9901-001</b>



**RADIALL**®

GAUTIER

The information given here is subject to change without notice.  
 Design changes may be in order to improve the product .

*Connect to the future*